



XENO

Beyond the ordinary.



Free Spin Speed:
110km/h



100km Range



Nominal Power
2500W



Suspension
90mm



OTA Update

Visual Mastery

**ENGINEERED FOR THE EDGE.
PERFECTED FOR THE RIDE.**

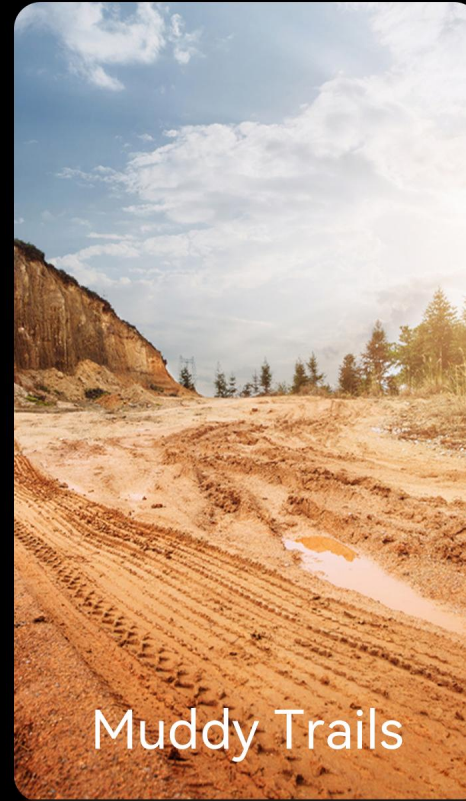


All-terrain Unicycle

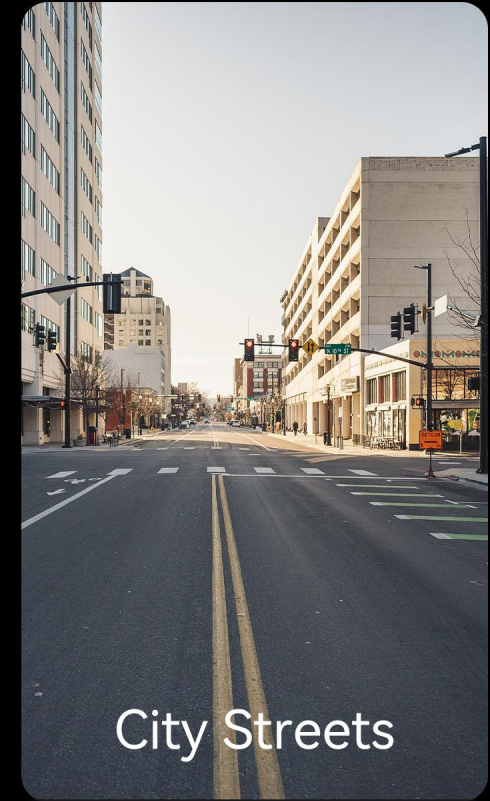
Versatile all-round design fits paved city roads, gravel paths and off-road trails, ideal for daily commute and outdoor adventure.



Gravel Roads



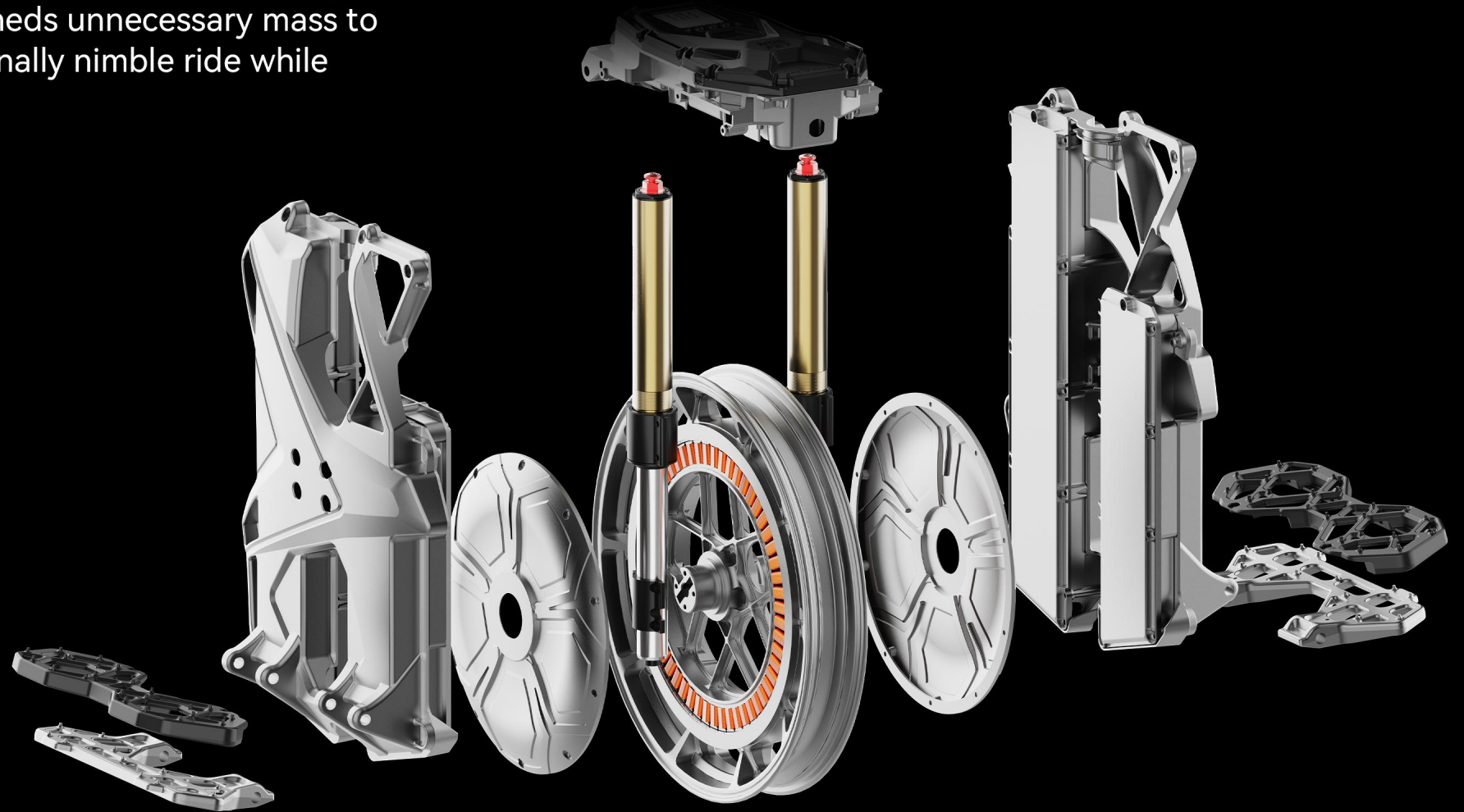
Muddy Trails



City Streets

Lightweight Design

Precision-machined from lightweight magnesium alloy, the chassis sheds unnecessary mass to deliver an exceptionally nimble ride while





Sculpted Lightness. Untamed Torque.

Redesigned for ultimate efficiency, our lightweight motor delivers instant, seamless power. By reducing rotational mass, it offers sharper acceleration and an exceptionally fluid riding experience—proving that less weight can mean more thrill."

2500W

Rated Power

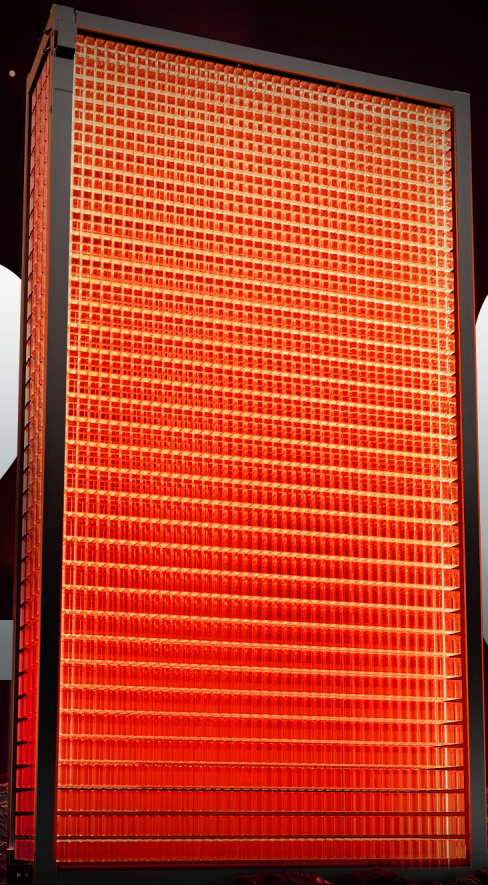
75km/h

Max. Speed

*Speed ratings based on standard weight and full charge conditions.

BATTERY
SAMSUNG 50S

22000 WH





Ride All The Miles

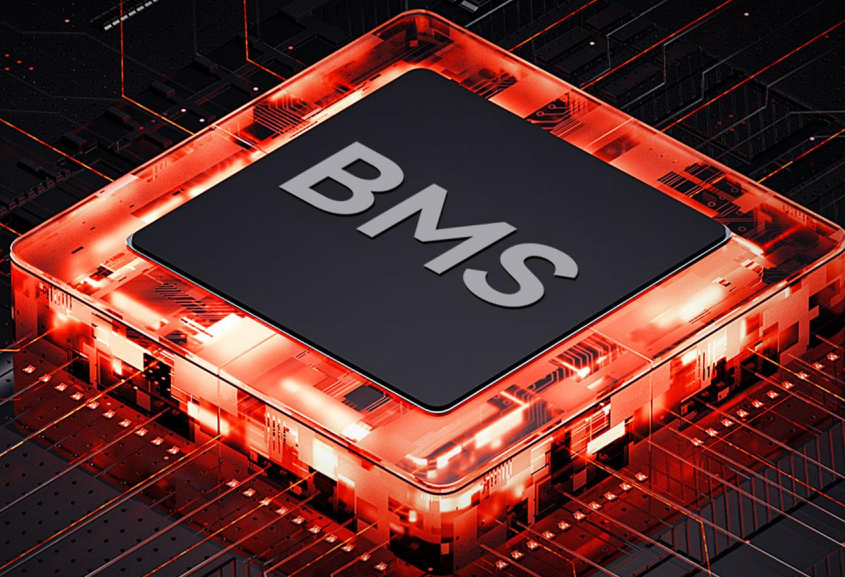
The battery has 2200 Wh for a mind-blowing range of up to 110kms with batteries.

Tested with an 80kg rider at an average speed of 35.8kmh, the XENO offered a range of 103.4km.

100 KM

Smart BMS

Intelligence meets assurance.



Short Circuit
Protection



Over Current
Protection



Over Charge
Protection



Over Discharge
Protection



Temperature
Monitoring



Voltage
Protection

On-Demand Adaptive Suspension

Conquer the unpredictable with precision-tuned suspension. Whether navigating cobblestone streets or rugged backroads, the XENO delivers a flawlessly smooth, serene, and effortless ride—wherever your journey leads.

Rebound Adjustment



Compression Adjustment

Absorbing the Unpredictable.

At its core, a centrally mounted suspension system delivers 90mm of carefully calibrated travel. This sophisticated mechanism actively absorbs the impact of sudden drops, uneven roads, and unexpected obstacles, preserving an impeccably planted, stable ride regardless of your velocity.



90mm

Suspension Travel

Symmetry

Bidirectional Damping Suspension

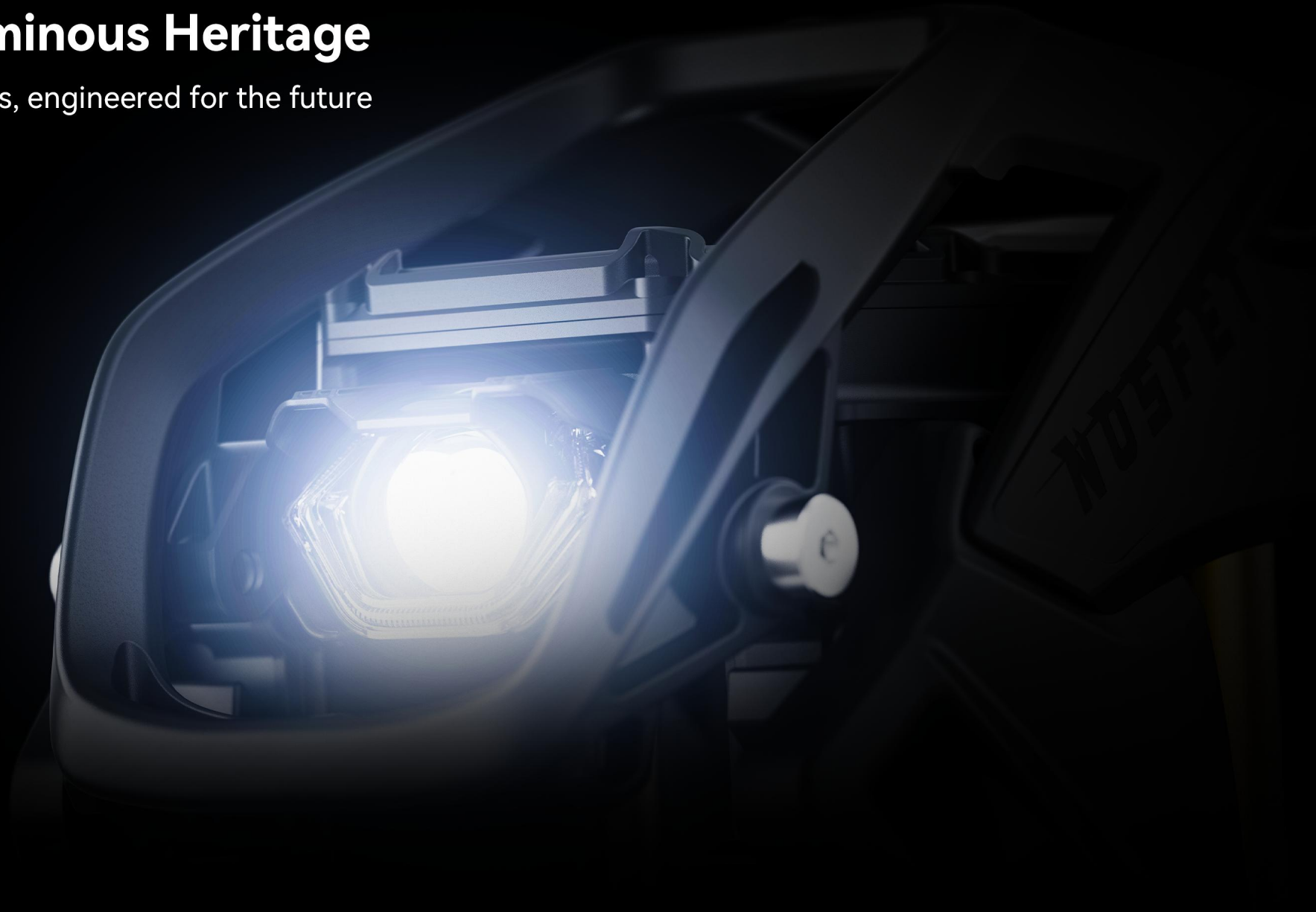
SAFETY

**LIGHT UP
YOUR RIDE**

LIGHTING

Sculpted Luminous Heritage

Inspired by the classics, engineered for the future



The image shows a dark, futuristic car interior. Two vertical, glowing red light bars are positioned on either side of the driver's seat. The light bars have a textured, segmented appearance. The car's interior is mostly black, with some metallic or plastic components visible. The overall atmosphere is mysterious and high-tech.

Sharp & Radiant

A luminous blade that commands attention from every direction. Featuring customizable RGB lighting and an expansive 180-degree field of view, it delivers both brilliant personalization and an unyielding safety halo around the XENO.

UNRIVALED VISUAL IDENTITY



The details. The difference.

Exquisite craftsmanship and stunning appearance. Fine finishing on every component delivers both practical performance and stylish design.

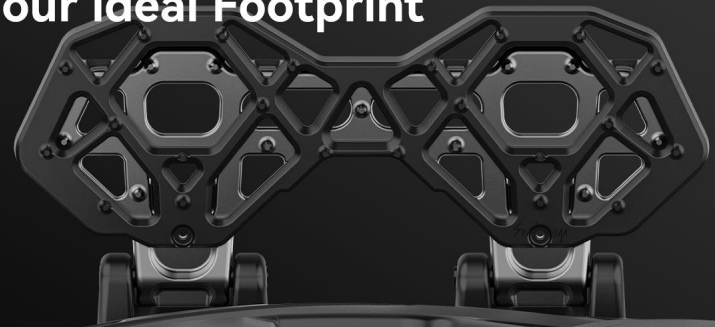
Form That Stands Apart



Functional Display

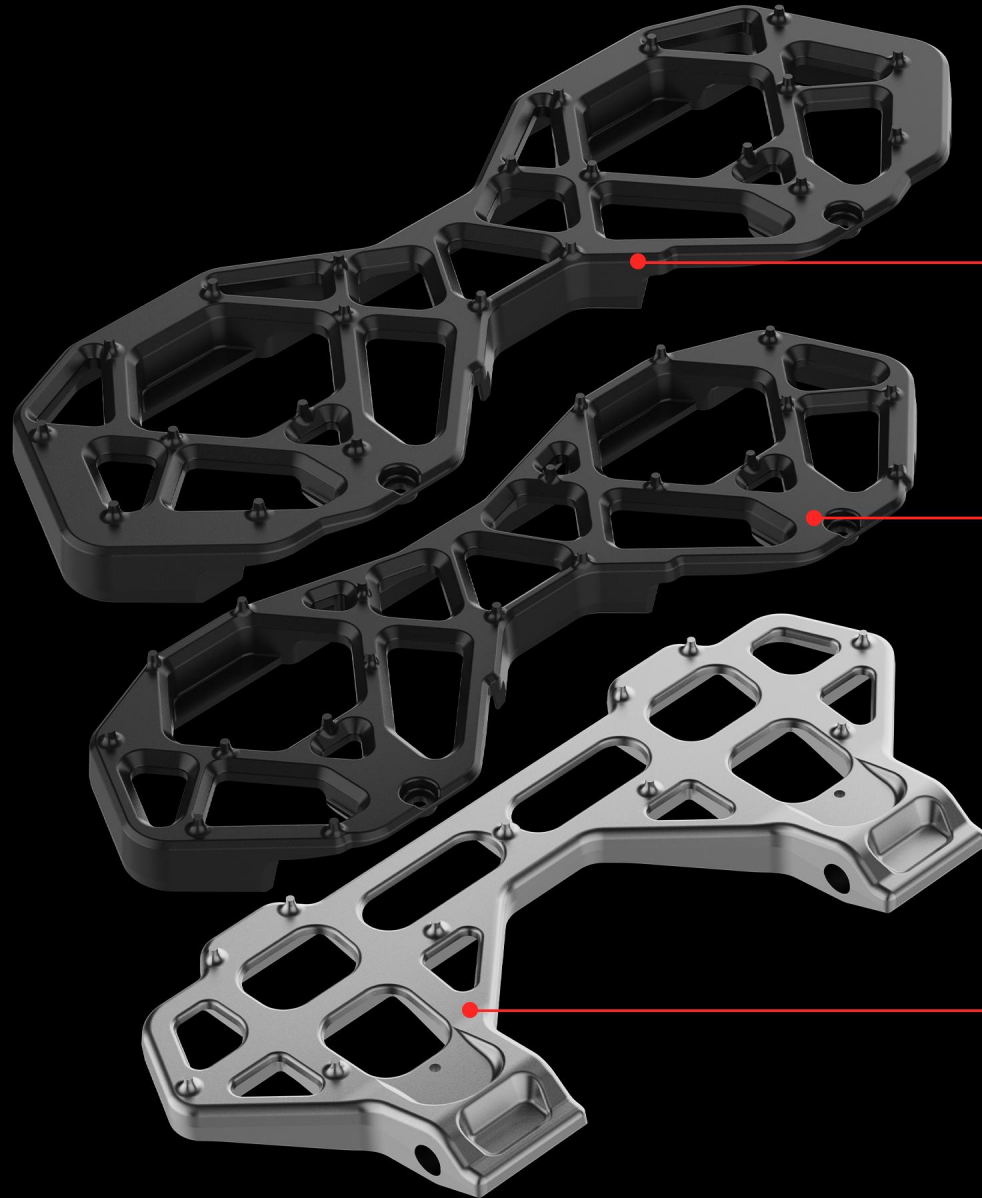


Select Your Ideal Footprint



Patented Pedal Design

Offering riders their own freedom to find perfect sized pedals.



Nylon Cover Large

The riders who seek the most surface area for their feet.

Nylon Cover Small

For those who want more grip, more surface.

Pedal Frame

Exceptionally light yet durable.

New Structural Handle Design

The new springless handle automatically locks in place when pulled to the highest position and won't fall back when released.

4 IN 1 TROLLEY



Deliberately Asymmetrical

XENO's distinctive silhouette breaks from convention to deliver a riding experience that feels as intentional as it looks.



Specifications

Model XEON	Battery 2200wh	Charge 126V 5A
Tire 80/90-14	Range 110km est.	Charge Time 5 hours
Nominal Power 2200W	Suspension 90mm	Weight 33kg
Peak Power IPX6	Max Load 120kg	Dimensions 925mm x 283mm x 545mm

